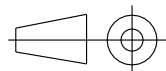
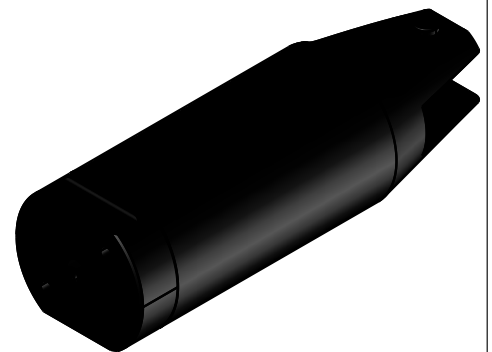
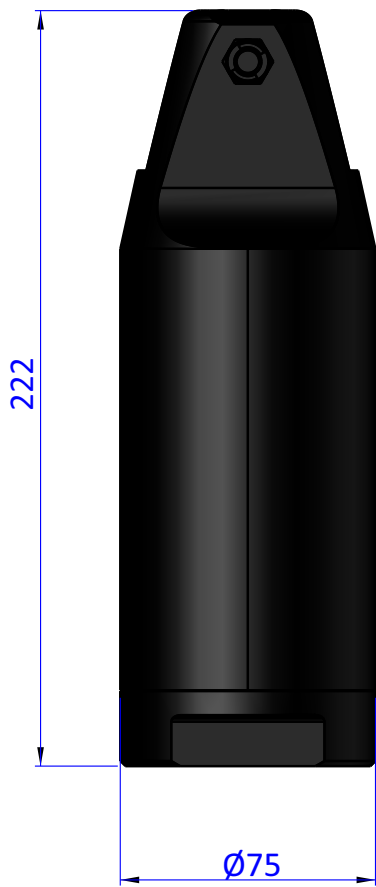
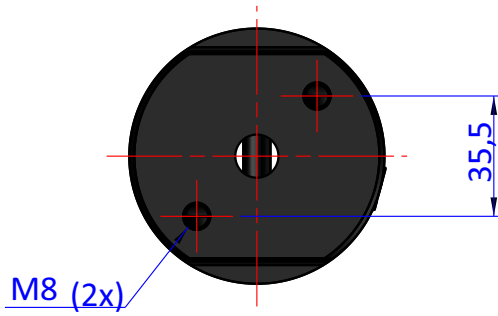


THE PROPERTY OF THE DRAWING IS ESTABLISHED BY LAW. IT IS FORBIDDEN TO PRODUCE OR SHOW IT TO THIRD PART. WITHOUT A WRITTEN AGREEMENT.



|                |         |        |
|----------------|---------|--------|
| DESIGNED FROM  |         | REVIEW |
| FPS Automation |         | A      |
| DATE           | WEIGHT  |        |
| 29/10/2020     | 1,190kg |        |
| CODE           |         |        |
| VES.GTNR50     |         |        |

Format A4

UNI 936-76

GENERAL TOLERANCE

UNI - ISO 2768

CLASSE f

DESCRIPTION

VES.GTNR50